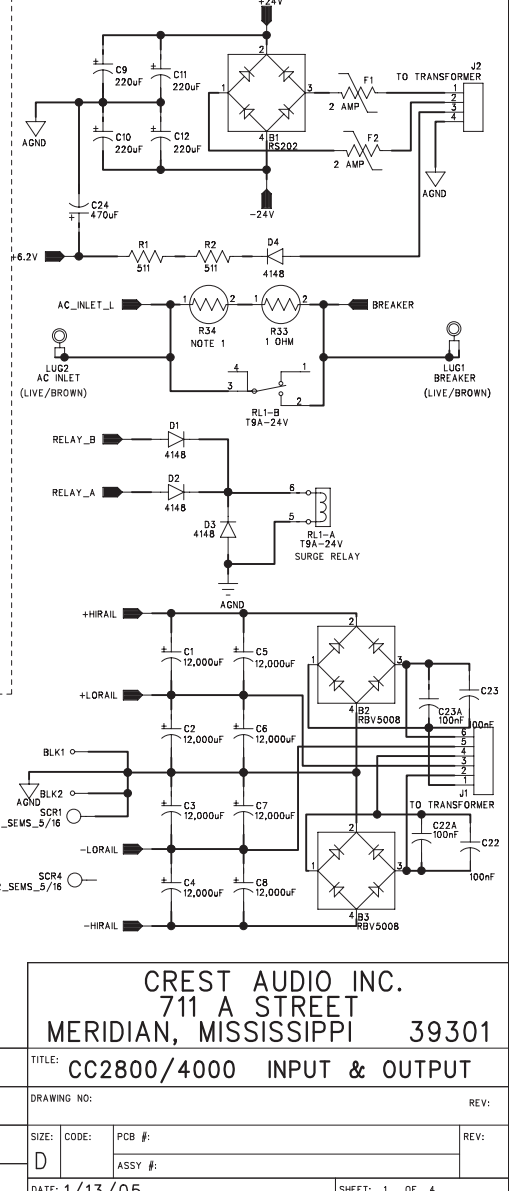
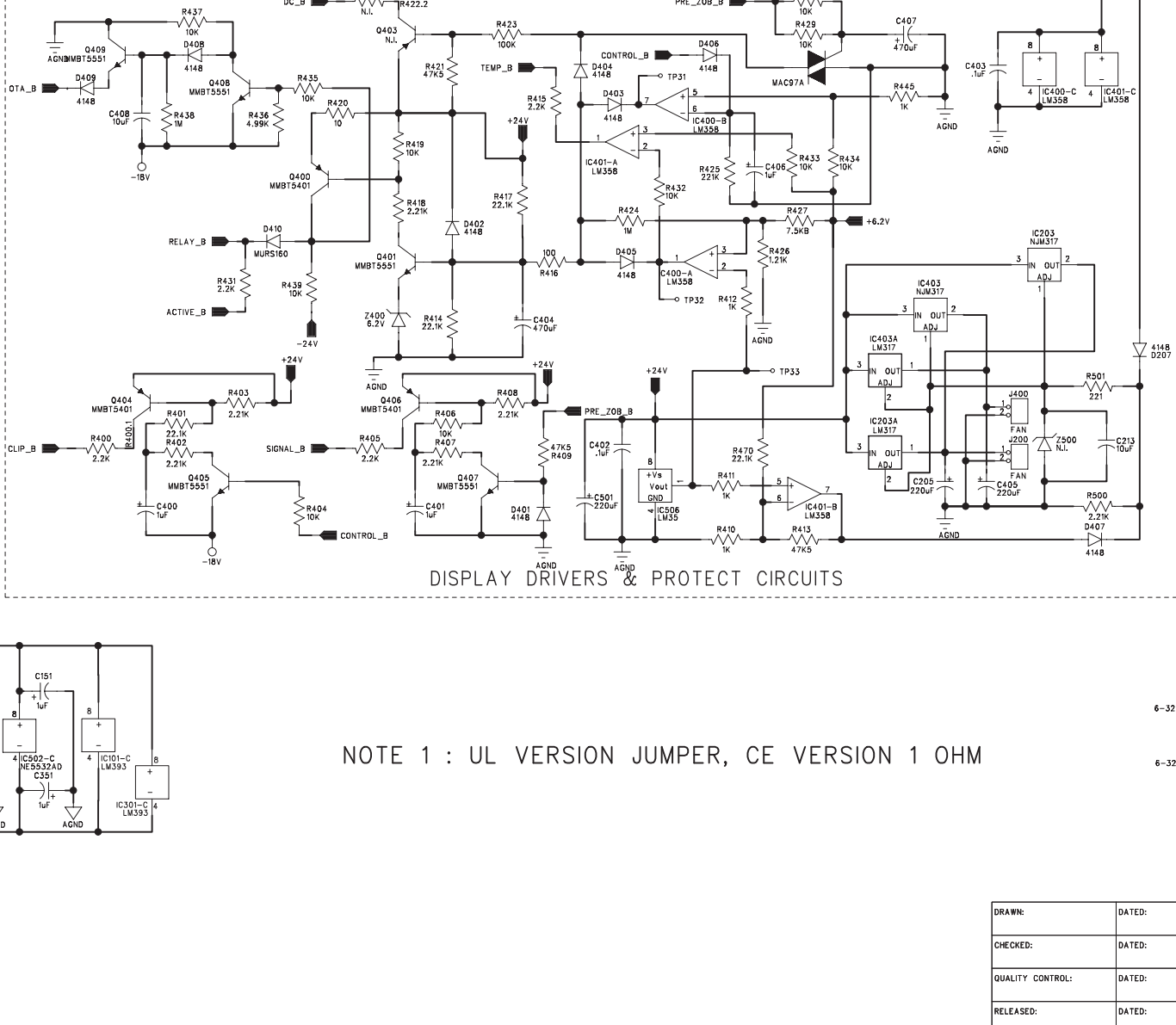
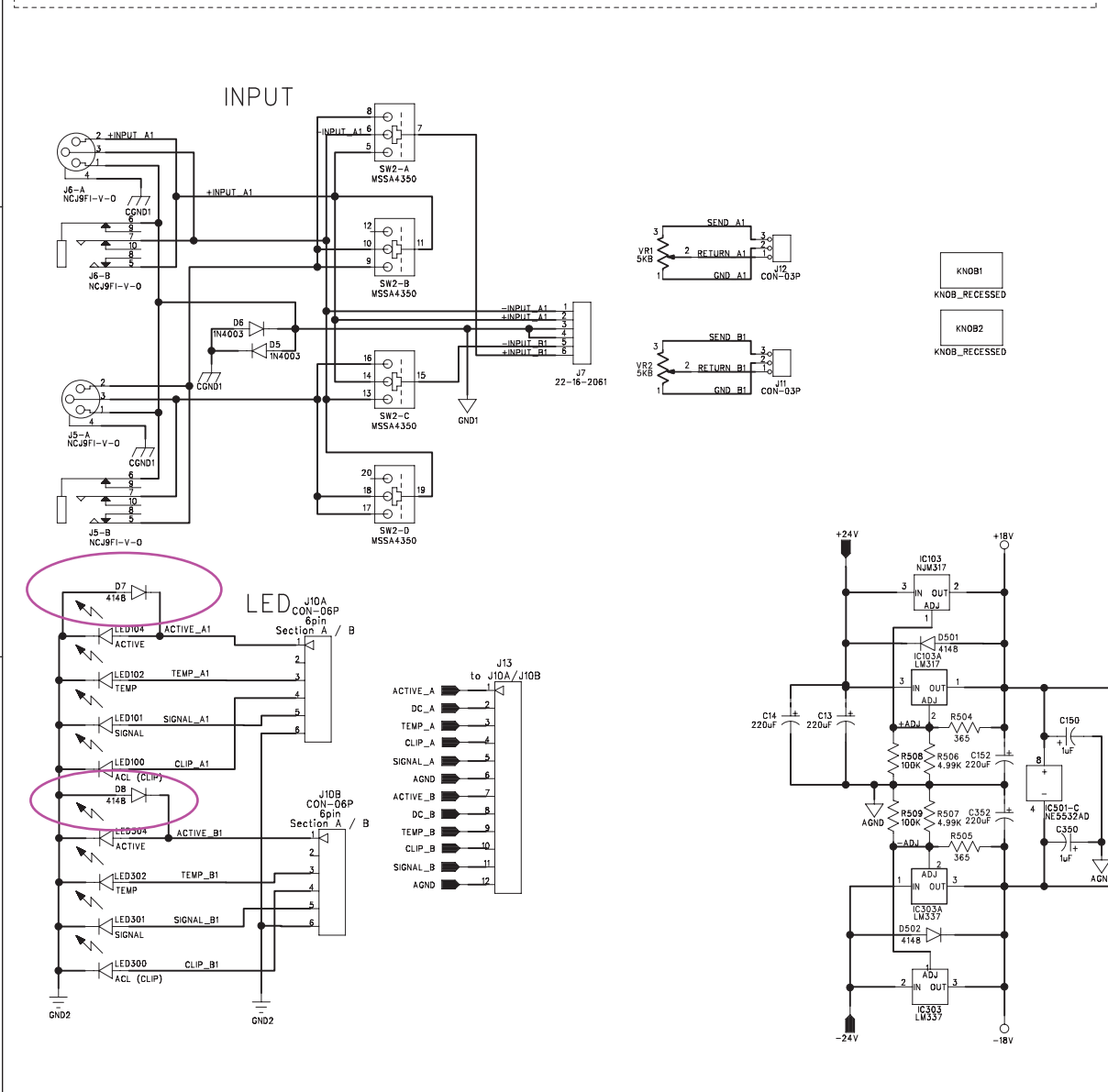
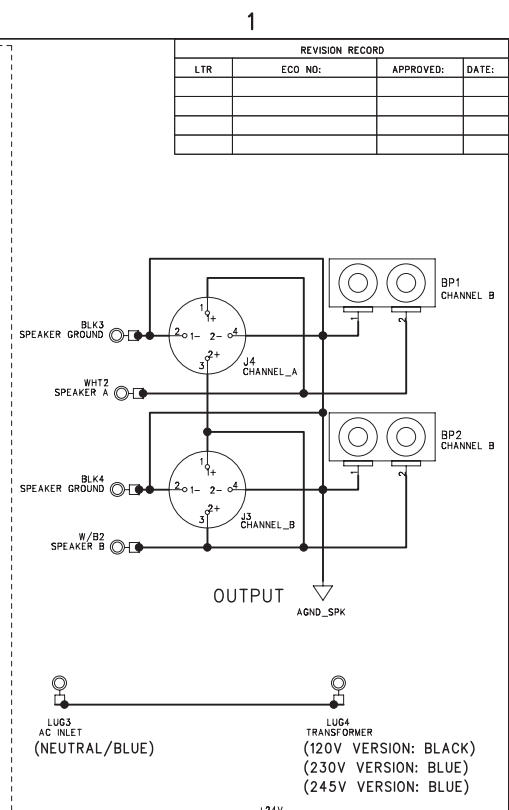
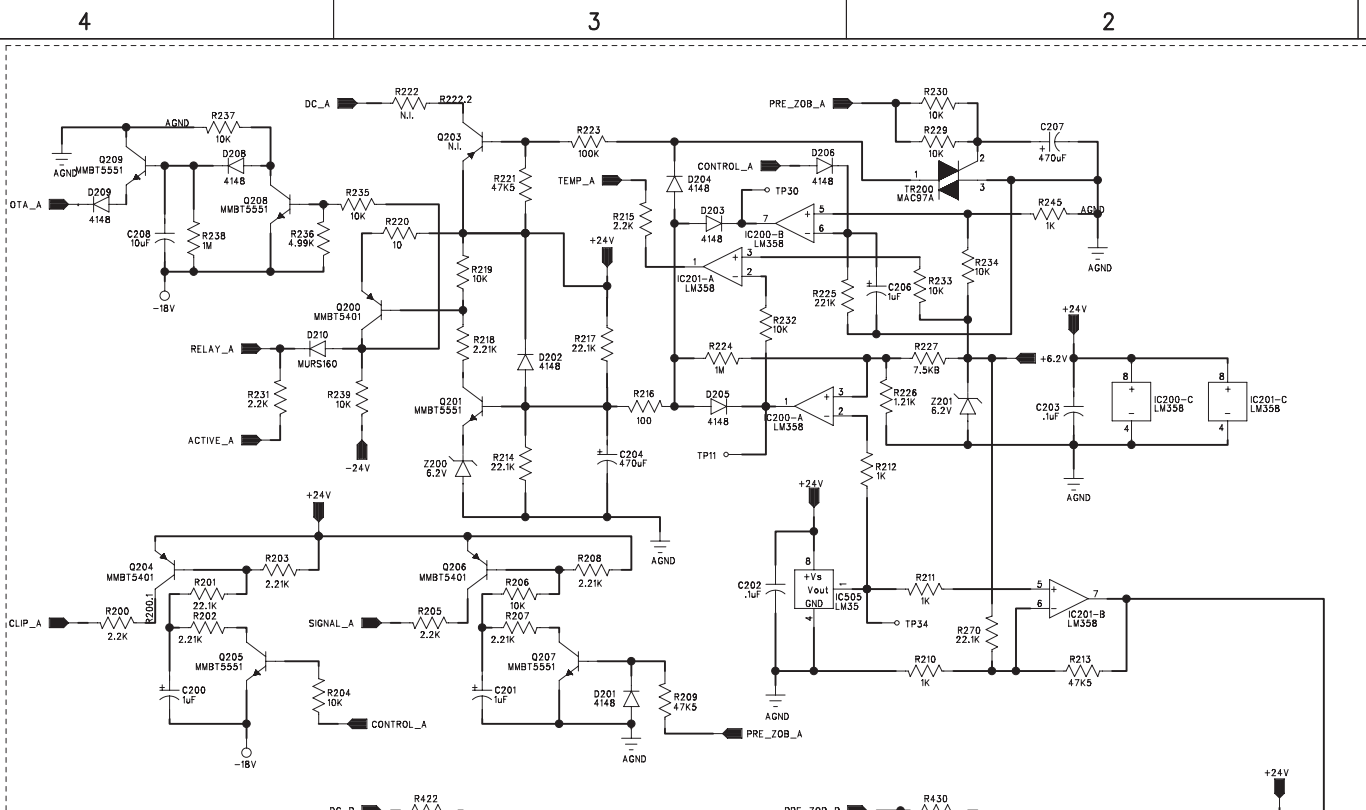
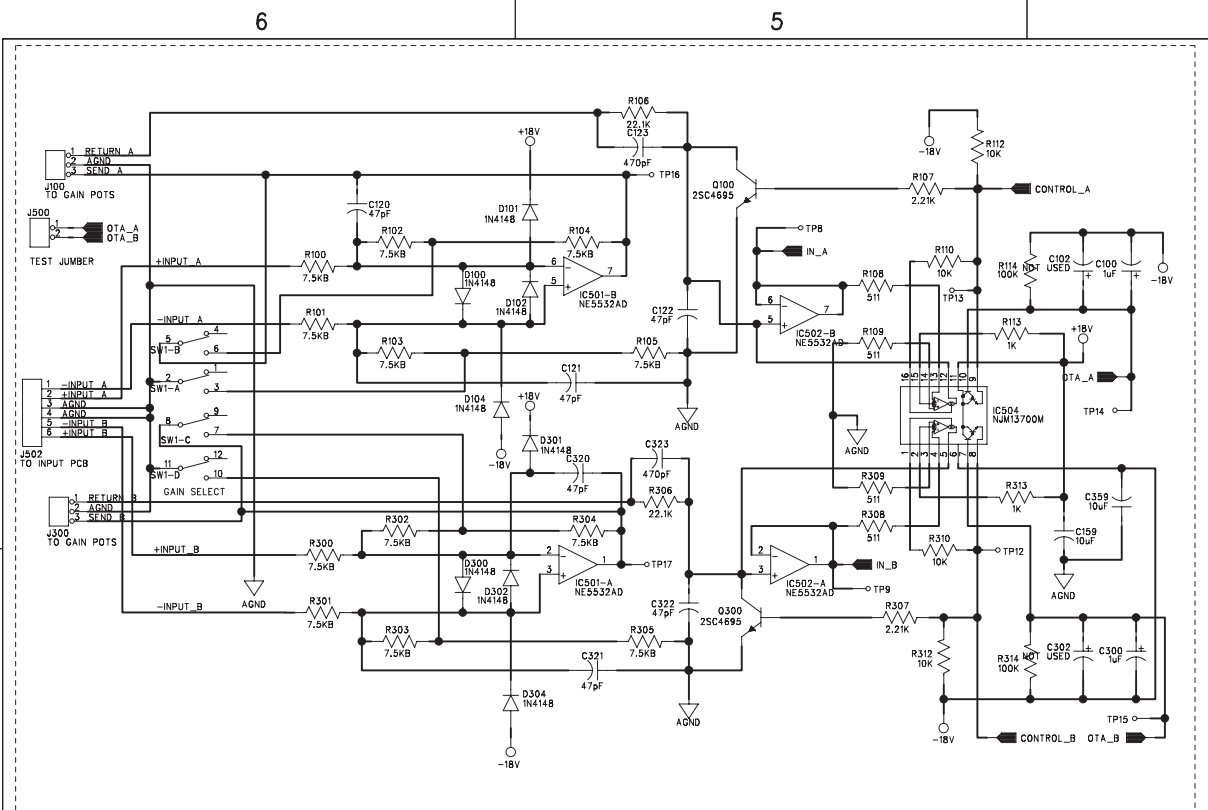


REVISION RECORD			
LTR	ECO NO:	APPROVED:	DATE:



NOTE 1 : UL VERSION JUMPER, CE VERSION 1 OHM

CREST AUDIO INC.  
711 A STREET  
MERIDIAN, MISSISSIPPI 39301

DRAWN:	DATED:	TITLE: CC2800/4000 INPUT & OUTPUT
CHECKED:	DATED:	DRAWING NO:
QUALITY CONTROL:	DATED:	SIZE: CODE: PCB #:
RELEASED:	DATED:	ASSY #:
DATE: 1/13/05		SHEET: 1 OF 4